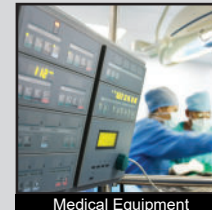
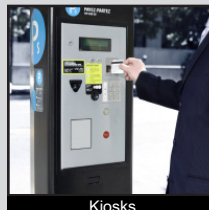
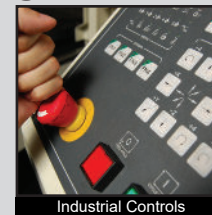
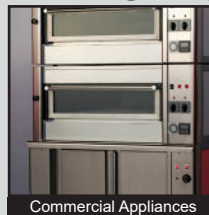


# E100 SERIES PUSHBUTTON SWITCH

ANTI-VANDAL SWITCHES  
DETECTOR SWITCHES  
DIP SWITCHES  
KEYLOCK SWITCHES  
NAVIGATION SWITCHES  
PUSHBUTTON SWITCHES  
ROCKER SWITCHES  
ROTARY SWITCHES  
SLIDE SWITCHES  
SNAP ACTION SWITCHES  
TACTILE SWITCHES  
TOGGLE SWITCHES  
CAP OPTIONS



## APPLICATIONS / MARKETS



**RoHS**

## SPECIFICATIONS

**Contact Arrangement:** 1NC, 1NC+1NO, 1NC/1NC  
**Contact Rating:** 3A @ 125VAC, 1.5A @ 250VAC  
 0.22A @ 125VDC, 0.11A @ 250VDC  
**Agency Approvals:** ANSI/UL508, TUV-SUD, EN 60947-5-1  
 : EN 60947-5-5  
**Contact Resistance:** 50mΩ Max. (Initial)  
**Insulation Resistance:** 100 MΩ Min. @ 500VDC  
**Dielectric Strength:** 1,500VAC  
**Electrical Life:** 50,000 Cycles MIN  
**Mechanical Life:** 100,000 Cycles MIN  
**Operating Temperature:** -25°C to 55°C (with lamp)  
 -25°C to 70°C (without lamp)  
**Storage Temperature:** -40°C to 85°C  
**Actuation Force:** 2.0 kgf  
**Panel Thickness:** 5.0mm MAX.  
**Moisture Protection:** IP65

## FEATURES & BENEFITS

- Easy operation
- High actuation force
- Multiple illumination options
- Pushlock turn design to reset
- 16mm cutout size
- IP65 rated

## PART NUMBER CONFIGURATOR

Series	Actuator Options	Housing Options	Illumination Options	Actuator Color
<input type="text" value="E"/> <input type="text" value="1"/> <input type="text" value="0"/> <input type="text" value="0"/> E100	<input type="text" value="R"/> <input type="text" value="1"/> <input type="text" value="1"/> R11 = Illuminated R22 = Non-Illuminated	<input type="text" value="G"/> <input type="text" value="1"/> G1 = Illuminated 1NC H1 = Illuminated 1NC + 1NO I1 = Illuminated 1NC/1NC L1 = Non-Illuminated 1NC M1 = Non-Illuminated 1NC + 1NO N1 = Non-Illuminated 1NC/1NC	<input type="text" value="0"/> <input type="text" value="0"/> 0 = No Lamp F = Neon 110V AC G = Neon 220V AC H = LED 6V DC J = LED 12V DC K = LED 24V DC K1 = LED 12 to 24 V AC/DC P = LED 120V AC A = Incandescent 6V AC/DC 200mA B = Incandescent 14V AC/DC 80 mA C = Incandescent 28V AC/DC 40mA D = Incandescent 48V AC/DC 25mA E = Incandescent 60V AC/DC 20mA M = Incandescent 6V AC/DC 40mA N = Incandescent 14V AC/DC 40mA L = Incandescent 33V AC/DC 35mA	<input type="text" value="R"/> R = Red

Specifications subject to change without notice 4.25.2024



**E-SWITCH®**

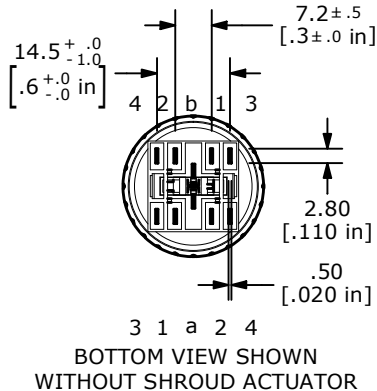
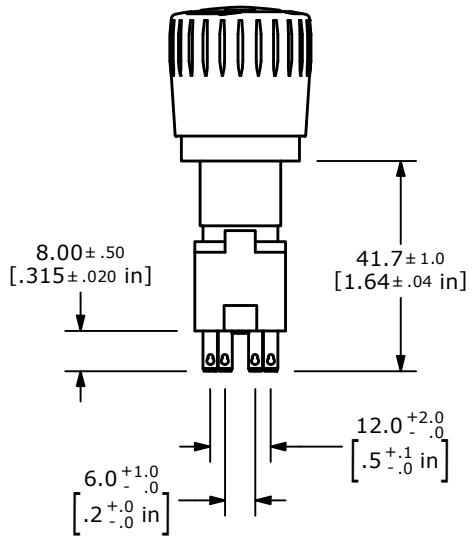
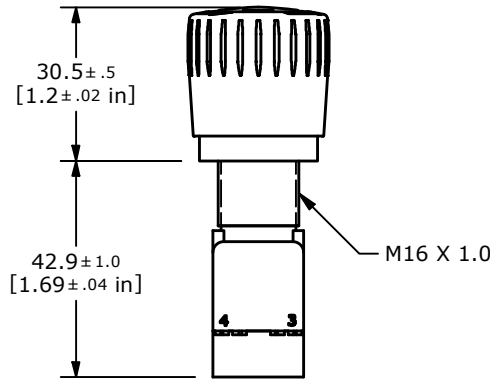
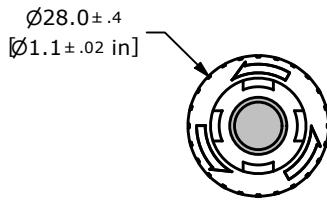
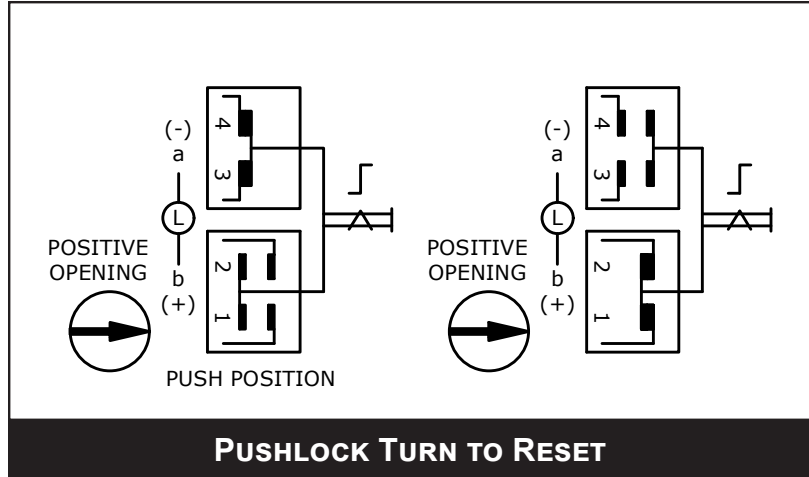
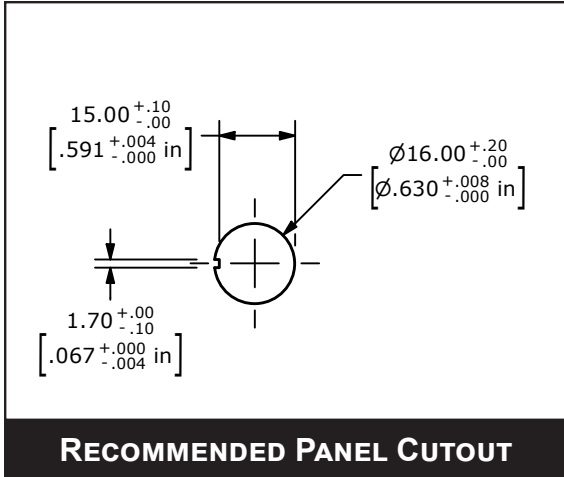
www.e-switch.com

800.867.2717

1

# E100 SERIES PUSHBUTTON SWITCH

## BODY DIMENSIONS - ILLUMINATED



SIDE VIEW SHOWN WITHOUT TERMINAL SHROUD



- ANTI-VANDAL SWITCHES
- DETECTOR SWITCHES
- DIP SWITCHES
- KEYLOCK SWITCHES
- NAVIGATION SWITCHES
- PUSHBUTTON SWITCHES**
- ROCKER SWITCHES
- ROTARY SWITCHES
- SLIDE SWITCHES
- SNAP ACTION SWITCHES
- TACTILE SWITCHES
- TOGGLE SWITCHES
- CAP OPTIONS



# Mouser Electronics

Authorized Distributor

Click to View Pricing, Inventory, Delivery & Lifecycle Information:

[E-Switch:](#)

[E100-R11-H1KR](#) [E100-R22-N10R](#)